



**VIEW CONTENTS**

# VITAAN ENGINEERING SOLUTIONS

Near Jai Hind Circle, Transport Nagar,  
Bhilwara 311001 (Raj.)  
(M.) 90018-02010, 96497-26252



ENGINEERING YOUR SUCCESS.

## BRIEF NOTE RELATING TO

# VITAAN

## ENGINEERING SOLUTIONS

**VITAAN ENGINEERING SOLUTIONS** started in 2016 and from our inception, only priority has been to provide clients with the dependability of safe passage of high- pressure hydraulic fluids between ports in construction, mining and drilling machines at all times. Our track record of consistently providing hassle-free delivery of premium hose and steel tube assemblies and adapters rests on our blend of thought leadership in our business model and diligence in its execution.

For the past 5 years, we have used the current and anticipated needs of our clients' clients as well as our direct clients to shape our structure, culture, processes, solutions and team. Embracing our clients' right to expect the security of quality assemblies and adaptors at their time, quantity and place of choosing explains clients within India and abroad assimilating us into the "make-it-happen" fabric of their demand fulfillment chain.

We cherish the trust, confidence and faith our clients have in us and we know that deepening these is only possible when we as a company decide, renew and execute before others. Cultivating an ecosystem of strategic vendors in manufacturing; investing in the best production and in-house testing capabilities globally; commitment to the right-skilling of our people; strong relationships with the premium global hose and raw material suppliers for e.g. ARROWLINE ITALY, PARKER, INDO MAKSON HOSE INDIA etc.

and unwavering adherence to international standards including JIC, JIS, DIN, SAE, BIS and BSP consistently make us honorable and dependable partners of construction and mining as well as reputed groups of end user within India and mature markets.

Performance under pressure is the experience of our products in the field. Pressure or Range: No limits!

We are privileged to be associated as vendor partner with in construction, mining and drilling equipment and also reputed groups of end user:

# ULTRATECH NATHDWARA CEMENT LIMITED

**(1)HOSE,AB23-14/4SP-19/P25-P25S X1500,B  
Part no. 40142000AG08 for ABC COOLER**



**(1) 8323010395 00010 40142000BI97  
HOSE FITTING CLAMP,T BOLT SIZE:1.5 IN**



**(1) 8323010395 00020 40142309AM78  
BEND, ANGLE: 45 DEG, SIZE:ID 45 X OD 56 MM,  
FOR SILICONE HOSE**



**(1) 8323010395 00030 40142000BI95  
HOSE, NON METALLIC, MATERIAL: SILICON  
RUBBER, LENGTH: 140 MM, DIMENSION: ID 45 X  
OD 56 MM, PRESSURE RATING: 10 BAR, WITH HOS**



**HOSE, MANUFACTURER: REXROTH, DRAWING &  
POSITION NUMBER: HS-036-C185-2-B/1010  
EQUIPMENT NAME: MMC COOLER NEAR HPU PR  
LINE, AB23-16/R13-51/ 2H-S2Hx1500, 32G5K  
INCLUDING FULL FLANGES AND O RINGS  
PART NO. 40142000AG19**



**HOSE, SUCT,  
PN: DK00706064  
PART NO.  
40142000AG04**



**HOSE,AB23-16/R13-51/S2H-W2HX1500  
PART NO. 40142000AG12**



**HOSE , REXROTH PART LIST ITEM NO. 266 DRAWING NO.  
HS-036-C086-1-H PROJECT NO 5004001 ITEM  
CODE AB23-14/2SN-31/R35 N35X--- FOR MMC COOLER  
CONDITIONING PUMP BETWEEN FILTER AND OIL COOLER  
PART NO. 40151700HT72**

***HOSE TYPE HIGH PRESURE  
SIZE LG 1.5 MTR MANUFATURER  
FLS BOX EQUIPMENT  
MODEL NO. TTVL 2390A APPL. RM-1  
PART NO.***



**CORD,O-RING,MATERIAL:VITON,  
SIZE:DIA 5.7 MM,PART NUMBER:70 GR MOC- VITON  
PART NO. 31163200AA43**



**SS CORRUGATED HOSE STEAM HOSE &  
RUBBER STEAM HOSE 1/2 X 24 INCH**



**1/2 X 18 INCH**


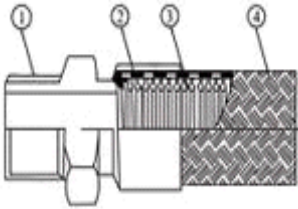

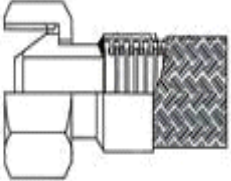

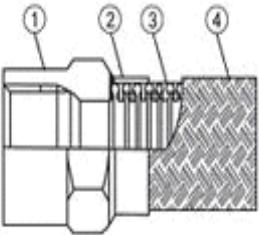

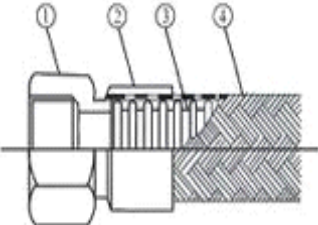

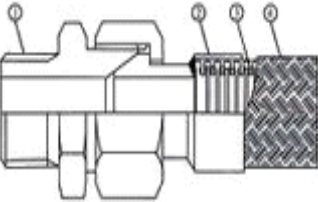

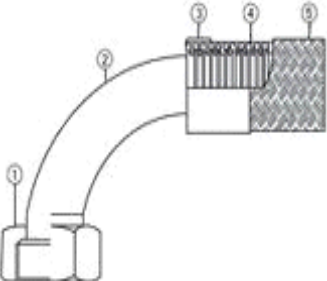
**3/4 X 18 INCH 3/4 X 24 INCH**

**1" X 28 INCH**

**1" X 30 INCH ST. 90 BANDS**

**SS CORRUGATED HOSE  
75 NB, TO 750 NB WITH FLANGE CLASS 150**



		<i>XCEO-Male Thread</i>
		<i>XCD-Female Outer Cone Thread</i>
		<i>XCC-Female Inner Cone Sealing</i>
		<i>XCA Female Thread Plane Sealing Need PTFE Gasket</i>
		<i>XCE-Female Inner Cone With Male Thread</i>
		<i>90° Female Metal Hose</i>

# **FLY ASH HOSE 3 INCH TO 8 INCH**



**HUMP HOSE**

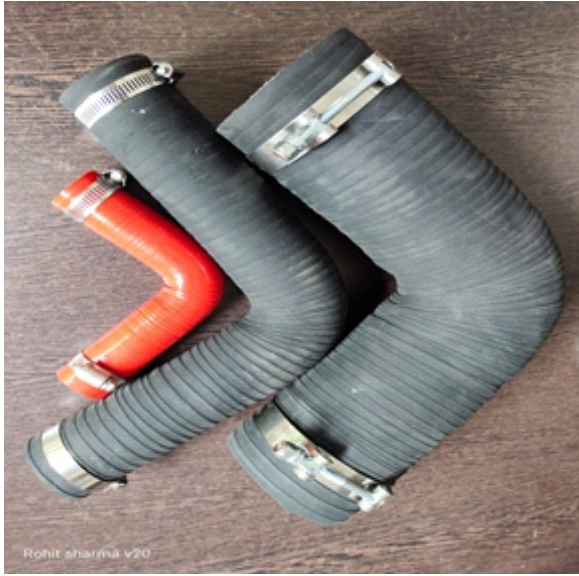


**LUBRICATION HIGH PRESSURE HOSE**





# RADIATOR AND SUCTION HOSE



# HD HOSE SPIRAL GUARD



## Application



## Worm Drive & T-BOLT Hose Clips

### Description

Auto Silicone Hoses clips will suit most hose applications. Worm Drive head and 12mm wide band ensures maximum thrust when tightening. BSI standards in all areas, providing excellent reliability.



### 1. Ferrule

Ferrule for SAE100R1AT/EN 853 1SN 1ST HOSE  
 Ferrule for SAE100R2AT/DIN20022 EN853 2SN EN 857 2SC HOSE  
 FERRULE for 4SP, 4SH HOSE  
 FERRULE for R7, R8 and kinds of other HOSE

### 2. Hose Fittings

1) Material: Carbon steel, Stainless steel  
 2) Finish: yellow Zinc plated, White Zinc Plated  
 3) Standards: SAE, JIC, BSP, NPT, DIN, etc  
 We are manufacturing and marketing all kinds of hydraulic fittings, we can also produce according to customers' drawings or samples.

#### 1) SWAGED METRIC FITTINGS

Metric Flat Seal Fittings    Metric Multiseal Fittings  
 Metric 60° Cone Seal Fittings    Metric 74° Cone Seal Fittings  
 Metric 24° Cone O-RING Seal L.T. Fittings    Metric 24° Cone O-RING Seal H.T. Fittings  
 Metric Standpipe Straight Fittings    JIS Metric 60° Cone Seal Fittings

#### 2) SWAGED BRITISH FITTINGS

BSP O-RING Seal Fittings    BSP Flat Seal Fittings  
 BSP Multiseal Fittings    BSP 60° Cone Seal Fittings  
 BSPT Fittings    JIS BSP 60° Cone Seal Fittings

#### 3) SWAGED AMERICAN FITTINGS

SAE O-RING Seal Fittings    ORFS Flat Seal Fittings  
 NPSM 60° Cone Seal Fittings    JIC 74° Cone Seal Fittings  
 NPT Fittings    SAE Flange L.T. Fittings    SAE Flange H.T. Fittings

#### 4) STAPLELOK FITTINGS

BANJO    DOUBLE CONNECTION    INTERLOCK HOSE FITTINGS

#### 5) METRIC ADAPTERS

Metric Thread O-RING Face Seal Adapters  
 Metric Thread Bite Type Tube Adapters  
 Metric Thread 74° Cone Flared Tube Adapters  
 JIS Metric Thread 60° Cone Adapters

#### 6) BRITISH ADAPTERS

BSP Thread 60° Cone Adapters  
 JIS BSP Thread 60° Cone Adapters  
 BSPT Thread Adapters

## 7) AMERICAN ADAPTERS

ORFS ADAPTERS JIC 74° Cone Flared Tube Adapters  
NPT Thread Adapters

## 89) OTHER ADAPTERS

### PERFORMANCE CHARACTERISTICS ADAPTERS

#### SHAPE

45°, 90°, Straight, Cross, and Tee

#### MAXIMUM WORKING PRESSURE (MPA)

51 (Dynamic Pressure)

#### MAXIMUM WORKING PRESSURE (BAR)

517 (Dynamic Pressure)

#### MAXIMUM WORKING PRESSURE (PSI)

7500 (Dynamic Pressure)

#### MATERIAL

Brass; Steel, Zinc Plated; Stainless Steel; and Steel, Zinc Nickel

#### CONNECTION TYPE

Flare

#### APPLICATION

Various

**INDUSTRY STANDARDS** SAE J514 and ISO 8434-2

#### CONNECTION 1 STYLE

37° Flare - Male, Swivel and Bulkhead

#### CONNECTION 1 TUBE O.D. (INCH)

1/8 to 2 1/2



## BONDED SEALS

# The Dowty 'Bonded Seal'

### High Pressure Joint Gasket Seal

The Dowty Bonded Seal is a synthetic rubber sealing member that is bonded with heat and pressure to a zinc plated steel washer. The flexing action of the lips under pressure provides a positive and leakproof seal against a wide range of fluids, at, depending upon size, pressures up to 20,000 p.s.i. (1380 bar). The Dowty Bonded Seal, in addition to eliminating leakage, reduces tooling, installation and maintenance costs. The face to face sealing they permit eliminates groove cutting or special machining and reduced bolting torque. Dowty Bonded Seals are supplied in quantity to large scale users in the aircraft, motor and electronics industries, and for specialized products ranging from navigational instruments to rock drilling equipment.

### Materials & Temperature Range

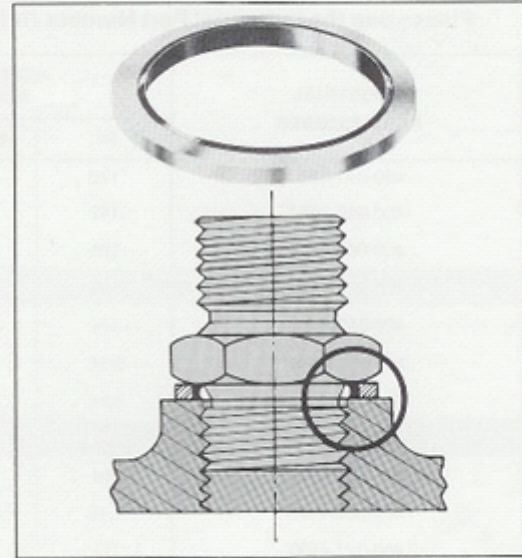
The Dowty Bonded Seal is suitable for use with mineral oils, water, gases and many other fluids. The temperature range varies according to the particular application. For general conditions, the 400 Series operates from  $-40^{\circ}\text{F}$  to  $+212^{\circ}\text{F}$  ( $-40^{\circ}\text{C}$  to  $+100^{\circ}\text{C}$ ).

### Low Octane Fuels

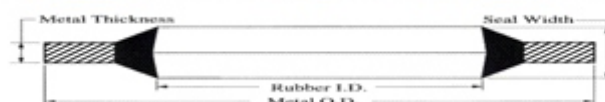
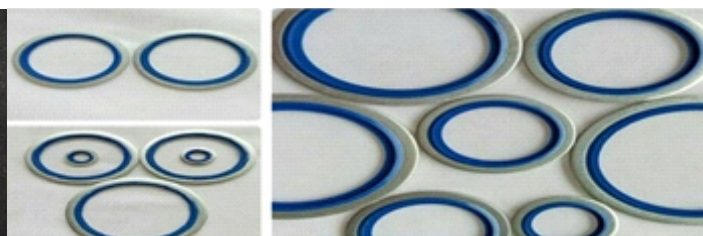
The Dowty Bonded Seal is available in the full range of sizes for low octane fuels, diesel oil, etc., suitable for temperature ranges of  $-20^{\circ}\text{F}$  to  $+240^{\circ}\text{F}$  ( $-29^{\circ}\text{C}$  to  $+120^{\circ}\text{C}$ ).

### Tapped Holes

When bonded seals are used to seal tapped holes the thread relief should never be greater than 0.01 in. (0.25 mm) above the nominal outside diameter of the screw thread.



- Extremely simple pressure gasket.
- Efficient and reliable means of face sealing at high and low pressures.
- Positive and leakproof sealing action.
- Reduction in bolting torque.
- No flow or flattening of metal washer under tightening loads.
- Elimination of groove cutting or special machining.
- Reusable when remaking joints.
- Continuous operation at  $-40^{\circ}\text{F}$  to  $+212^{\circ}\text{F}$  ( $-40^{\circ}\text{C}$  to  $+100^{\circ}\text{C}$ ).
- Reduces machining, installation and maintenance costs.



## Silicone Rubber Hose

*Auto Silicone Hoses straight reinforced silicone hoses are used in a huge range of applications. The formulated multi layered reinforced construction makes them ideal to replace old rubber hoses and particularly suited for all custom coolant plumbing applications.*

### Details

-Polyester Reinforced Silicone

-Available in various Colors

-Operating Temperature: (-) 60°C to (+) 180°C

Nominal Size id

12mm, 16mm, 25mm,

31mm, 38mm, 50mm, 60mm, 65MM, 75MM, 100MM

Color *White, Black, Blue*

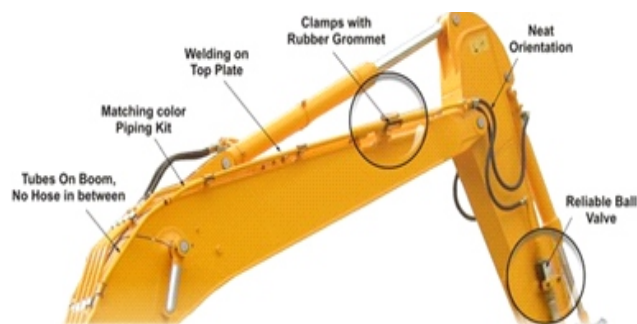
Unit Length *1MTR, 3MTR, 6MTR, 30MTR*

Material *Silicon rubber*

*Finding extensive use in automotive sector, these **Silicon Hoses** are highly suitable for use with cooling systems. Apart from this, these hoses are also used for induction systems, pressure signal lines, charge air systems with features like high temperature stability, allowing for flexible usage as well as superior thermal and electrical insulation choices.*



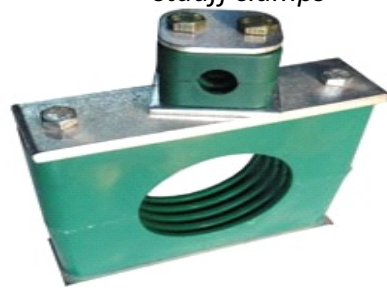
## Breaker piping kit



## Heavy Duty Tube Clamp



*stauff clamps*



### **Materials and surface finishing of metal parts**

*Carbon Steel Trivalent or Yellow zinc plated (Standard Trivalent plated) Carbon Steel Phosphated*

*Stainless Steel – SS 304 or SS 303*

*Stainless Steel – SS*

*Standard Pipe - Tube clamps available in Plastic Polypropylene and Polyimide ,*

*Aluminum clamp bodies with Steel / S.S. plates & bolts*

*W.P. range above 1500 PSI (100 BAR) for application in Steel / stainless steel piping system*

*Individual Pipe Clamp with welding plate Individual Pipe Clamp without welding plates Multilayer construction*

## **ADITYA BIRLA GROUP:**

- *Vikram Cement (MP)*
- *ULTRATECH NATHDWARA CEMENT LTD*
- *DALLA CEMENT WORKS*

## **M P BIRLA GROUP:**

- *Birla Corporation Ltd. Chanderia (Rajasthan)*
- *Birla Corporation Ltd. Satna [M.P.]*

## **BANGUR GROUP:**

- *Shree Cement Ltd. (Rajasthan) & (CG)*
- *Shree cement ltd Raipur*
- *Shree Jharkhand cement plant*
- *Shree cement Karnataka*
- *shree cement Maharashtra cement project*
- *shree cement all units*
- *J K White Cement Plant Gotan RAJ.*
- *Wonder Cement Ltd. Nimbahera*

## **MYSORE CEMENTS [HEIDELBERG CEMENT GROUP]**

- *DIAMOND CEMENTS – DAMOH [M.P]*
- *MYSORE CEMENTS LTD – TUMKUR [Karnataka]*
- *KANCHAN INDIA LTD BHILWARA ALL UNITS*
- *SANGAM INDA LTD BHILWARA*
- *Sona Processors India Ltd BHILWARA*
- *A.K. SPINTEX LTD BHILWARA*
- *NITIN SPINNERS LTD BHILWARA*
- *BSL INDIA BHILWARA*
- *Minova Runaya Private Ltd (MRPL) BHILWARA*
- *Saileela Processors (P) Ltd. BHILWARA*



Near Jai Hind Circle, Transport Nagar, Bhilwara 311001 (Raj.)  
G-mail : [vitaanengineering@gmail.com](mailto:vitaanengineering@gmail.com)